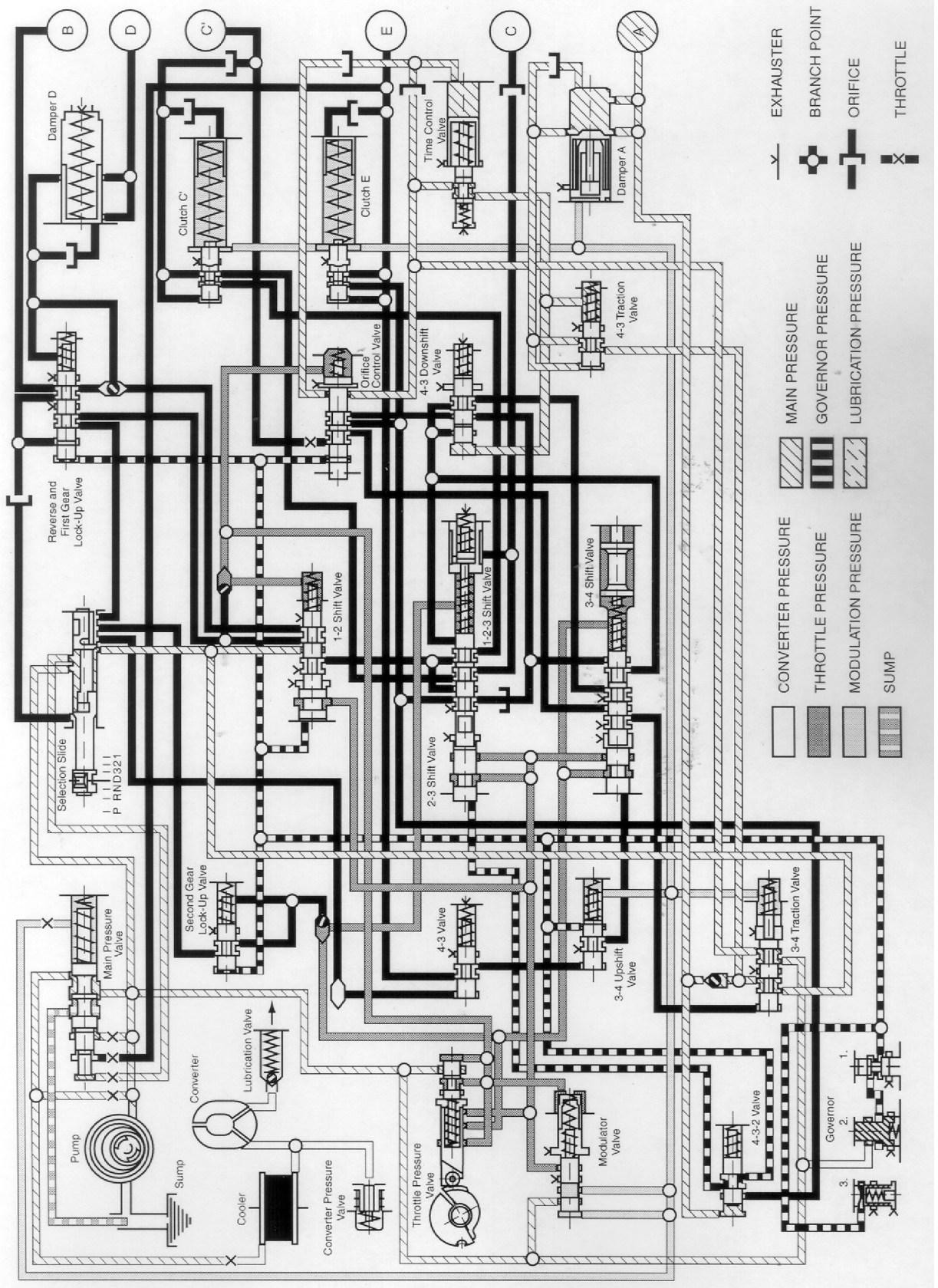


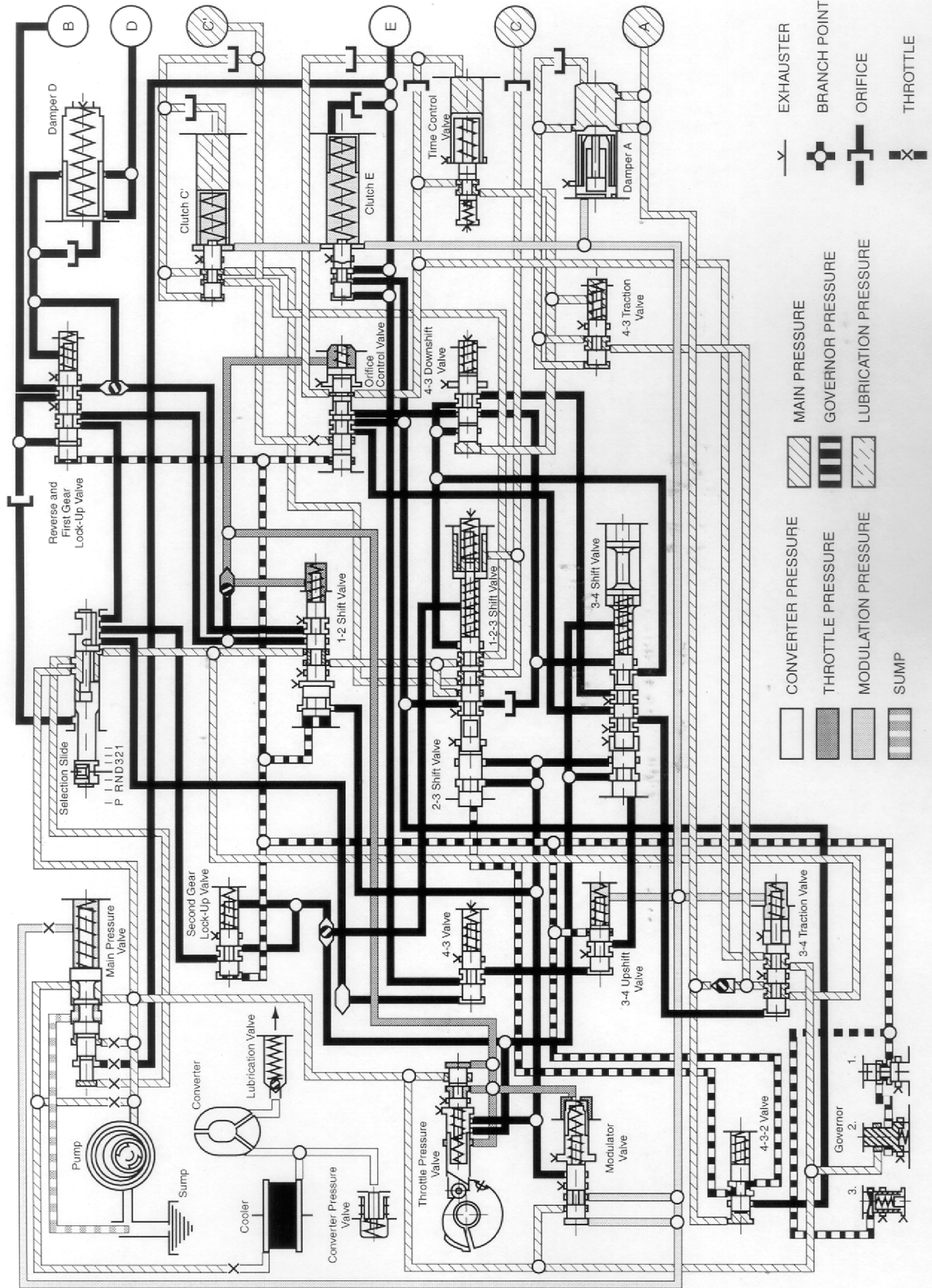
POSITION D - FIRST GEAR, KICKDOWN



- EXHAUSTER
- BRANCH POINT
- ORIFICE
- THROTTLE
- CONVERTER PRESSURE
- THROTTLE PRESSURE
- MODULATION PRESSURE
- SUMP
- MAIN PRESSURE
- GOVERNOR PRESSURE
- LUBRICATION PRESSURE

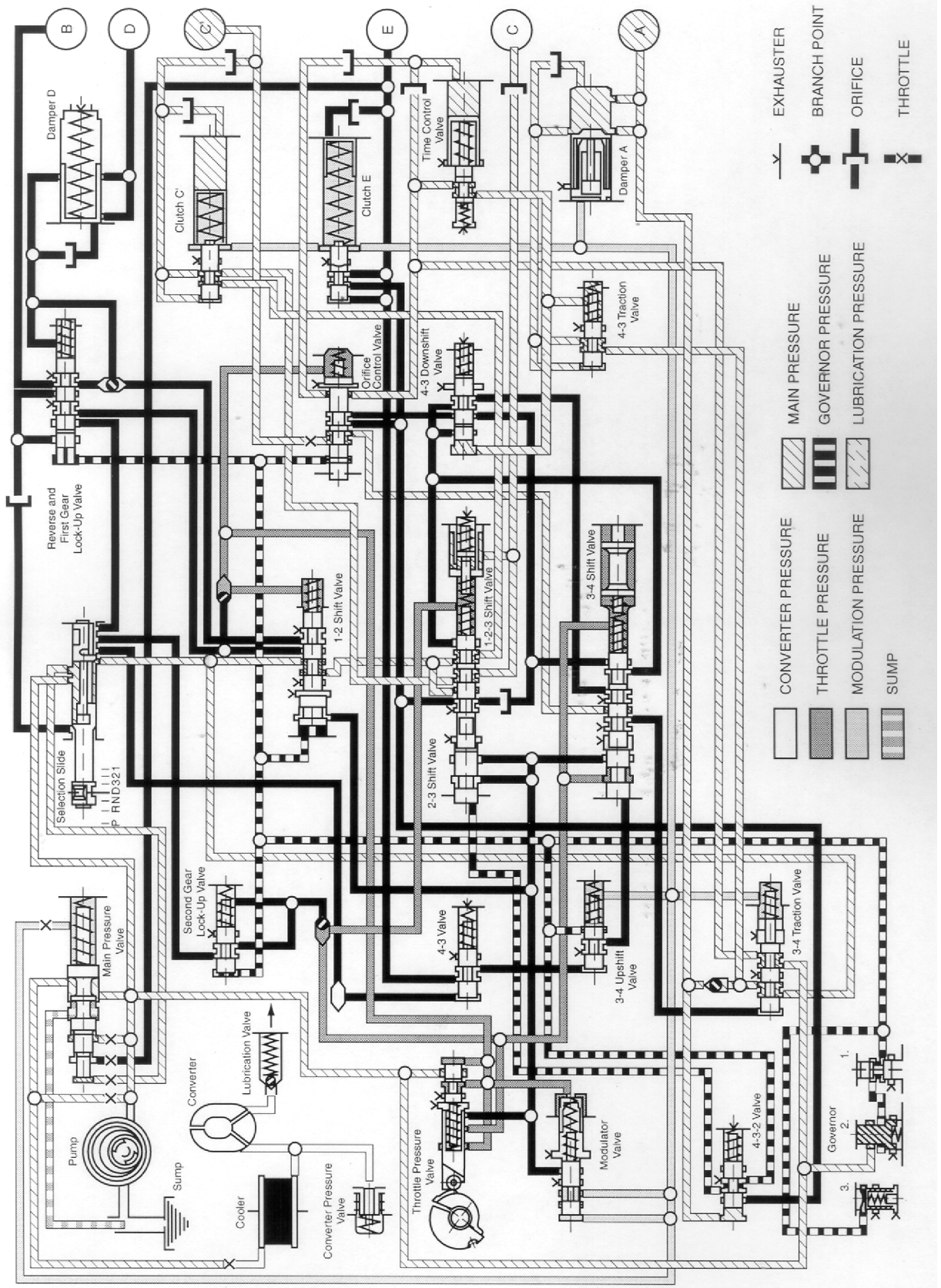
B103A315

POSITION D - SECOND GEAR, IDLING



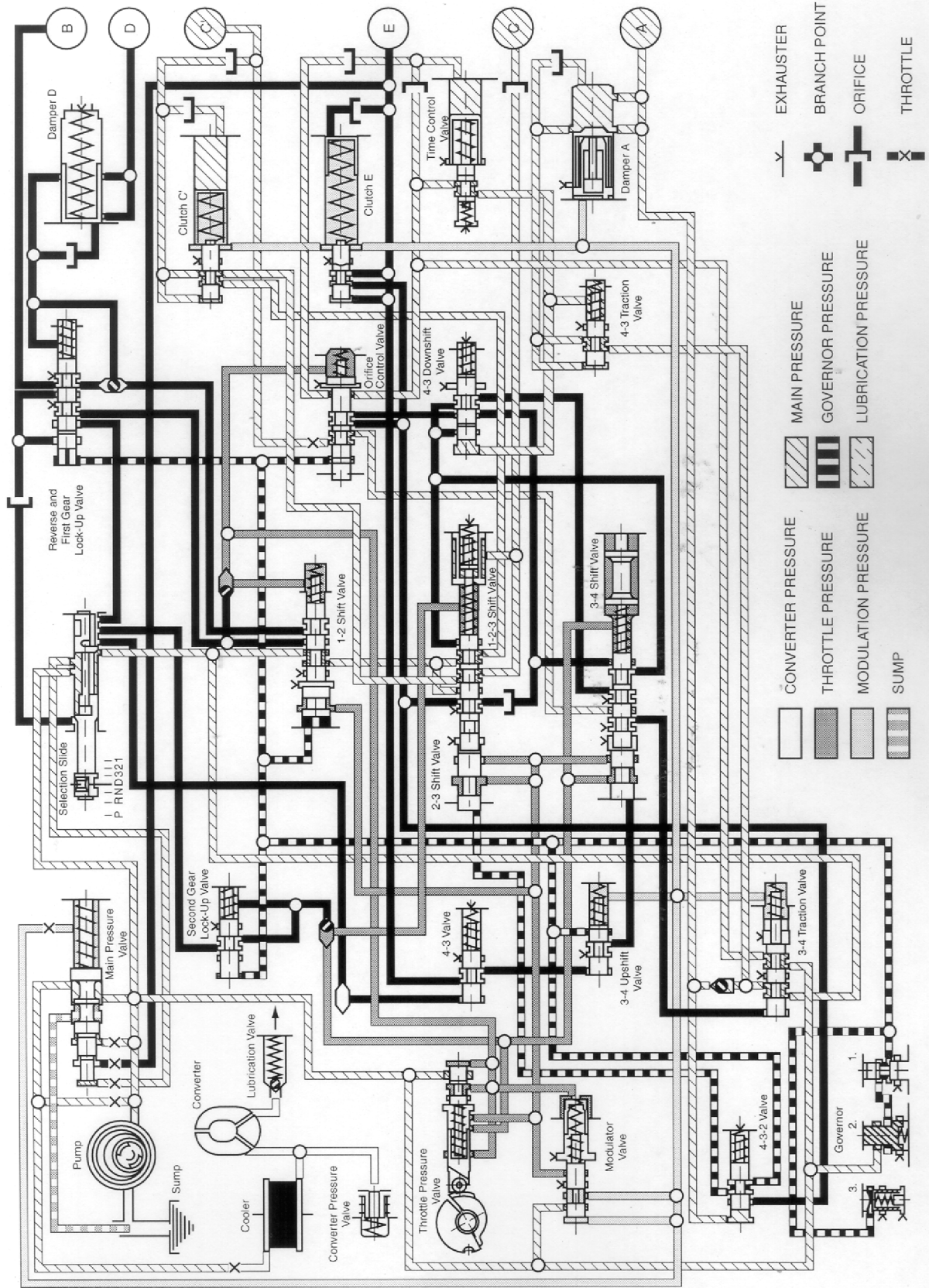
B103A316

POSITION D - SECOND GEAR, FULLY ACCELERATED



B103A317

POSITION D - SECOND GEAR, KICKDOWN



B103A318